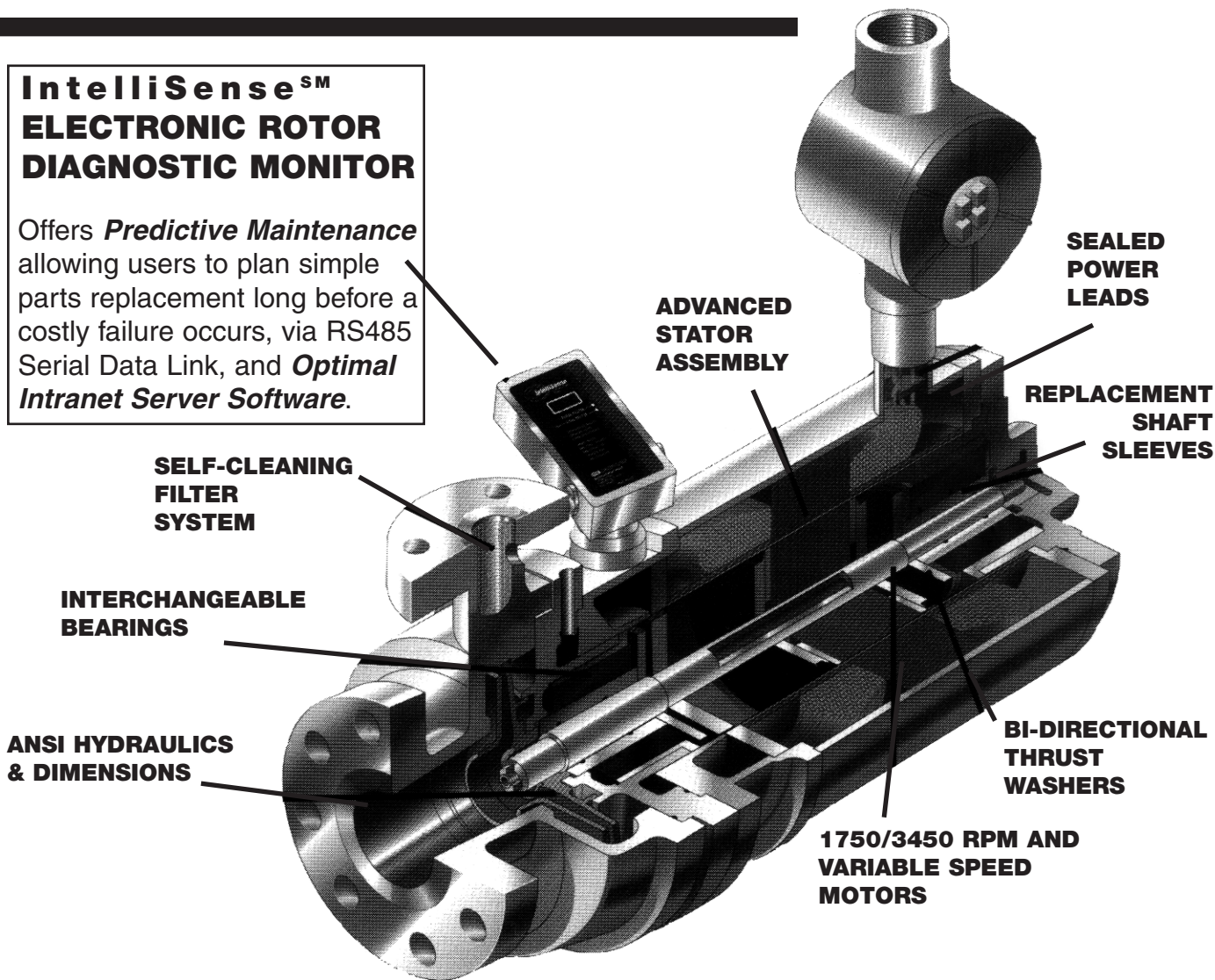


CHEMPUMP NC SERIES

A SERIOUS STEP FORWARD IN SEALLESS TECHNOLOGY

IntelliSenseSM ELECTRONIC ROTOR DIAGNOSTIC MONITOR

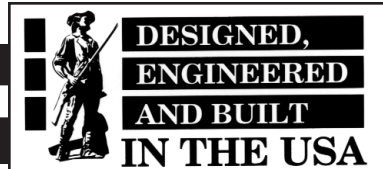
Offers *Predictive Maintenance* allowing users to plan simple parts replacement long before a costly failure occurs, via RS485 Serial Data Link, and *Optimal Intranet Server Software*.



**THE NEW STANDARD IN LEAKPROOF
PUMPING AND MECHANICAL RELIABILITY.**

MEETS ASME B73.3M, ANSI/HI 5.1-5.6 & API 685"

800-978-8706



CRANE[®]

CHEMPUMP

We're Serious About Sealless Performance.

tel: **215-343-6000**

fax: **215-343-8543**

www.chempump.com

chempump@chempump.com